

Battery-Operated Hydraulic Crimping Tool

PRESSMAX-C6-4DO

Technical Data

Crimping Force	60 kN
Opening Width	32 mm
Crimping Contour	4 Arbor
Battery Voltage	18 V
Weight*	5.0 kg
Dimensions* L x W x H	401 x 82 x 298 mm

*without battery

MasterBase technology offers the following battery options, select your tool here:

Item No.	Item	Suitable for batteries from
76746300	PressMax-C6-4DO Ma	Makita 18 V
76846300	PressMax-C6-4DO-Set Ma**	Makita 18 V
76762100	PressMax-C6-4DO Bo	Bosch 18 V
76862100	PressMax-C6-4DO-Set Bo**	Bosch 18 V
76766300	PressMax-C6-4DO Hi	Hilti 22V (B22)
76766700	PressMax-C6-4DO HiN	Hilti 22V (Nuron)*
76003500	PressMax-C6-4DO Mi	Milwaukee 18 V

* Time required to connect the battery to the tool: 2 s


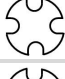
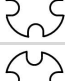
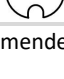


The battery-hydraulic crimping tool crimps with a self-centering, integrated 4-arbor system non-insulated, fine-stranded Cu conductors according to DIN 60228, class 2, 5 and 6 in ranges 10 - 240 mm² and is used in switch gear construction as well as for aggregate connections. No crimping dies are required.

Top Features Comfort Serie "PressMax-C6-4DO"

- » Equipped with MasterBase technology for flexible selection of the Makita, Bosch or Hilti battery
- » Flexible and safe working by free rotatable, open crimping head with 32 mm opening width
- » Selectable automatic return simplifies the work process
- » LED working field illumination
- » Does the Comfort Series tool not have the right battery holder? **Retrofit** will make it fit.

Crimping Ranges

Application		Cable
Tubular cable lugs and connectors Cu, cable lugs for switch gear connectors		10 – 240 mm ² 6 AWG – 500 MCM
Connectors similar to DIN Cu		10 – 120 mm ²
Tubular cable lugs Cu for fine-stranded conductors		10 – 240 mm ² 6 AWG – 500 MCM
Connectors Cu for fine-stranded conductors		10 – 95 mm ²

A sample processing is recommended.

**Scope of Delivery Sets:

76846300: PressMax-C6-4DO Ma, Makita battery 18 V/5 Ah BL1850B (item no. 79300115), Makita charger DC18RC (item no. 79300120), carrying strap, case (item no. 79500131)

76862100: PressMax-C6-4DO Bo, Bosch battery PRO GBA 18V 5.0Ah (item no. 79300122), Bosch charger PRO GAL 1880CV (item no. 79300123), carrying strap, case (item no. 79500131)